

Contents of LGT-306H Precedent Gas Sub Harness Kit

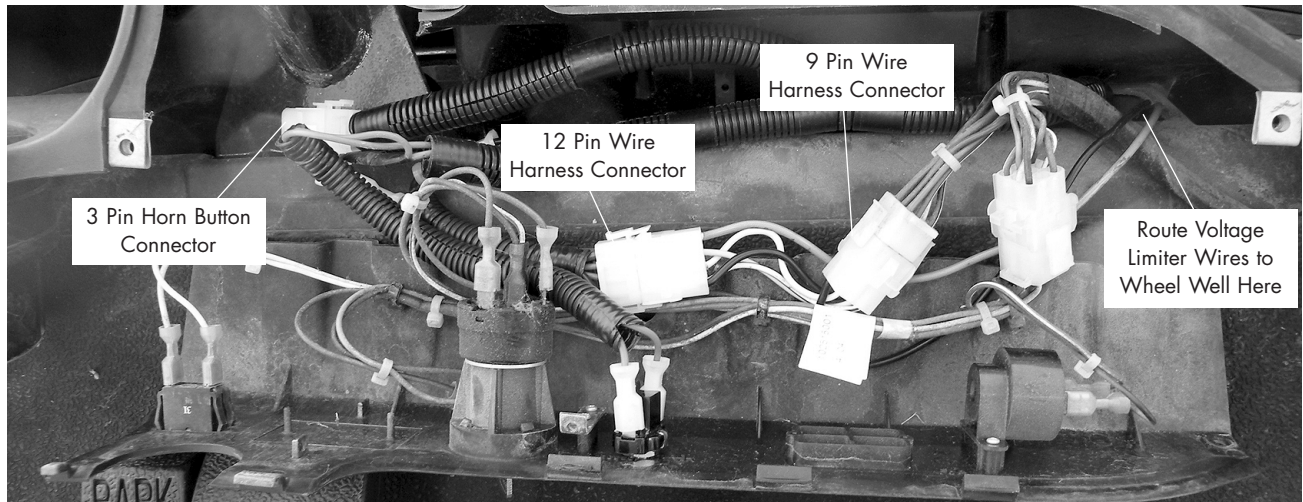
- (1) LGT-306H Sub Harness
- (1) Voltage Limiter Mounting Hardware
- (1) Installation Manual

Harness Installation: Picture 1

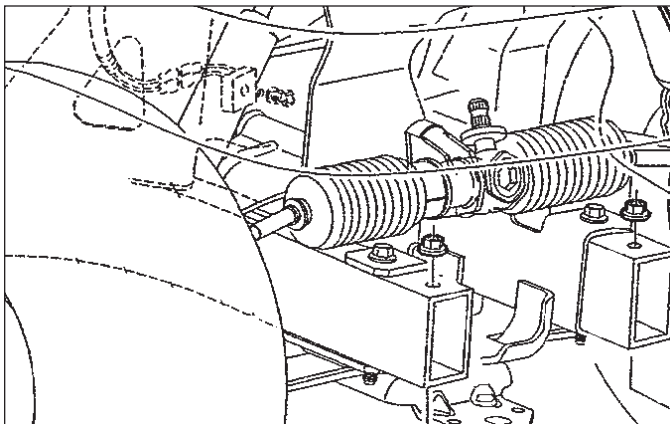
1. Connect LGT-306H Sub Harness assembly between the 9 pin male connector on the main vehicle harness and the 12 pin male connector on the light kit wiring harness.
2. Disconnect the green and black wires from voltage reducer and route through the cut out in the passenger side dash.
3. From beneath the vehicle install the voltage limiter on the rear center dash support (Picture 2) with the included hardware.
4. Reconnect the green and black wires to the voltage reducer being sure to connect to the terminals in their original location.
5. Fasten all loose wires.

Gas vehicle fuse assembly installation: Picture 3

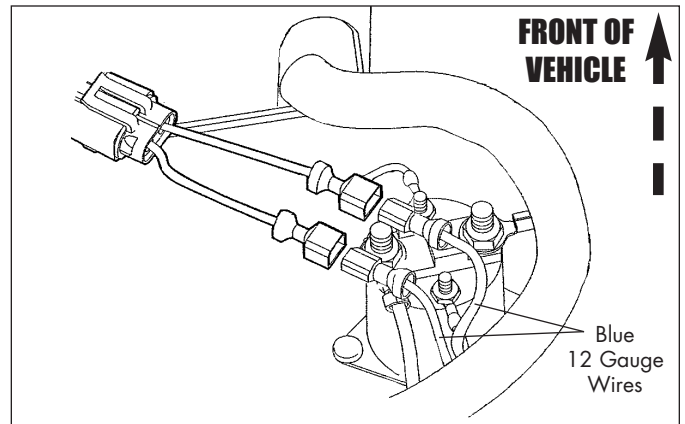
1. Remove the long wire lead from the fuse assembly leaving you with two short male spade terminals.
2. Remove the seat bottom and locate the 12 volt solenoid.
3. Locate one blue 12 gauge wire with a spade terminal that is connected to the main 12 volt feed to the solenoid.
4. Locate the one blue 12 gauge wire with a spade terminal emerging from the vehicle wire harness near the solenoid.
5. Connect the fuse assembly between the two blue 12 gauge wires.
6. Fasten all loose wires.
7. You're now ready to test your lights.



Picture 1



Picture 2



Picture 3